

## External power supply VU-0022

Service  
Service  
Service

VU-0022



# Service Manual

Safety regulations require that the set be restored to its original condition and that parts which are identical with those specified be used.

See also:  
REPAIR METHOD VU0022

### GB SPECIFICATION

Power supply voltage : 220 V ± 10%, 50 Hz

### NL SPECIFICATIE

Voedingsspanning : 220 V ± 10%, 50 Hz

### F CARACTERISTIQUES TECHNIQUES

Tension d'alimentation : 220 V ± 10%, 50 Hz

### D TECHNISCHE DATEN

Versorgungsspannung : 220 V ± 10%, 50 Hz

### I DATI TECNICI

Tensione di alimentazione : 220 V ± 10%, 50 Hz

Documentation Technique Service Dokumentation Documentazione di Servizio Huolto-Ohje Manual de Servicio Manual de Serviço



Subject to modification  
4822 727 15121  
Printed in The Netherlands

**PHILIPS**

— (GB)

#### NOTES

On the PCB of the supply unit a hatched printing has been applied, warning the technician for unwanted contact with parts that connect directly to the mains voltage.

#### WARNING

#### ADJUSTMENTS

##### Power supply voltage

— Adjust R168 for a voltage reading of 5 V across the output (C201).

— (NL)

#### OPMERKINGEN

Op het printpaneel van de voedingsunit is een gearceerde opdruk aangebracht, waardoor de reparateur gewaarschuwd wordt voor ongewilde aanraking van delen die rechtstreeks met de netspanning zijn verbonden.

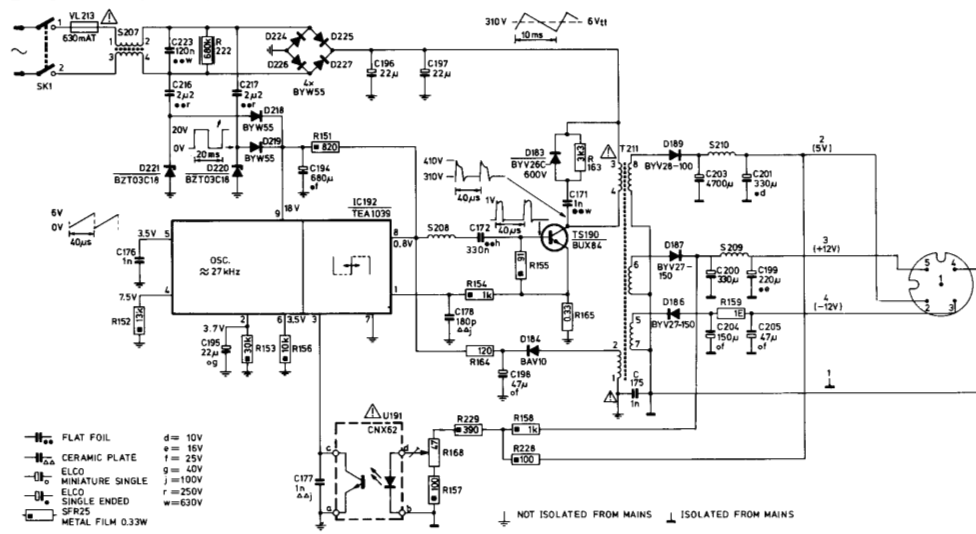
#### WAARSCHUWING

#### INSTELLINGEN

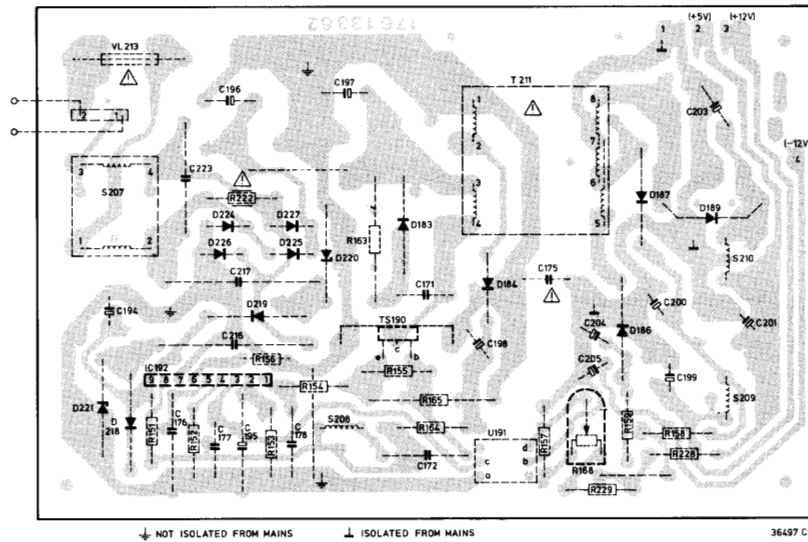
##### Voedingsspanning


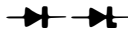
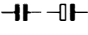
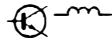
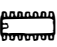
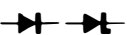
— Stel R168 in op een spanning van 5 V over de uitgang (C201).

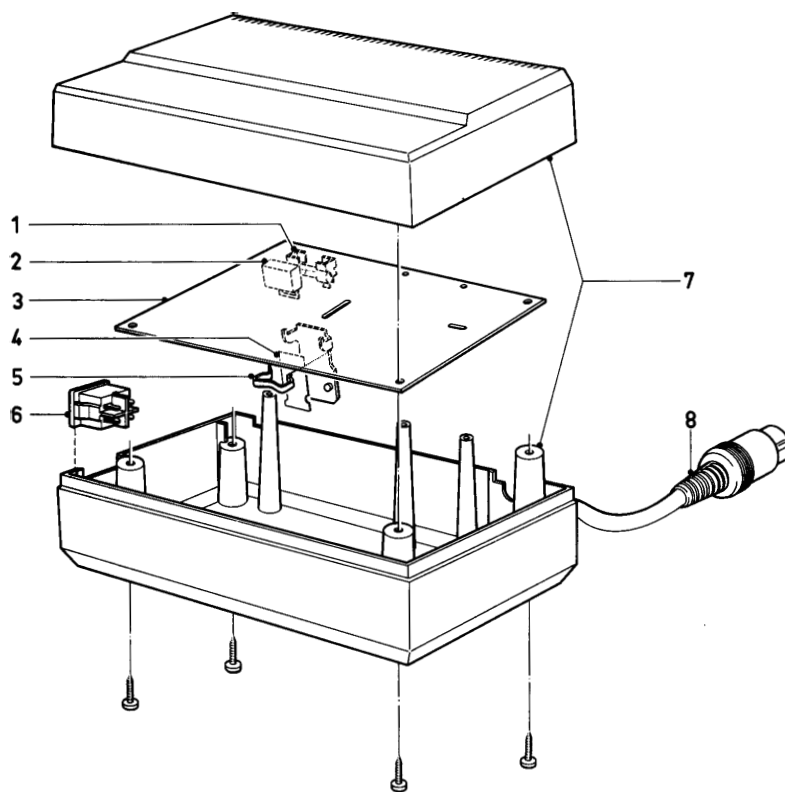
## EXTERNAL POWER SUPPLY UNIT



36498 C12



					
R159	1R	4822 111 30483	D218	BYW55	4822 130 31083
R163	3k3 PR52	4822 116 51153	D219	BYW55	4822 130 31083
R164	120 PR37	5322 116 55062	D220	BZT03C18	4822 130 32152
R165	33	4822 113 80324	D221	BZT03C18	4822 130 32152
R168	47 Trimming	4822 100 10679	D224	BYW55	4822 130 31083
R222	680k Safety	4822 111 30663	D225	BYW55	4822 130 31083
			D226	BYW55	4822 130 31083
			D227	BYW55	4822 130 31083
					
C175	1 nF	4822 122 10248	TS190	BUX84	4822 130 41121
C176	1 nF	4822 121 41729	S207		4822 156 21098
C196	22 mF - 385 V	4822 124 21306	S208		4822 157 51719
C197	22 mF - 385 V	4822 124 21306	S209		4822 157 51722
C200	330 mF	4822 124 21503	S210	4.5 $\mu$ H	4822 157 51922
C203	4700 mF - 10 V	4822 124 21408			
			<b>Various</b>		
IC192	TEA1039	4822 209 81434	U191	CNX62	4822 130 90121
			TS211	Transformer	4822 146 30462
			VL213	630 mA-T	4822 253 30018
			SK1		4822 410 23623
					
D183	BYV26C600	4822 130 32343			
D184	BAV10	4822 130 30594			
D186	BYV95A	4822 130 41601			
D187	BYV27/150	4822 130 31628			
D189	BYV28/100	4822 130 32151			



36 432 C12

#### POWER SUPPLY

1	Fuse holder	4822 492 60063
2	AC-socket (2p)	4822 265 20172
3	Power supply	4822 212 10205
4	Mica plate	4822 466 91438
5	Clamping spring fixing transistor	4822 492 63066
6	Push button ON/OFF	4822 410 23623
7	Cabinet	4822 432 30205
8	Power supply cable	4822 321 20913

**SYMBOLS USED IN CIRCUIT DIAGRAMS**

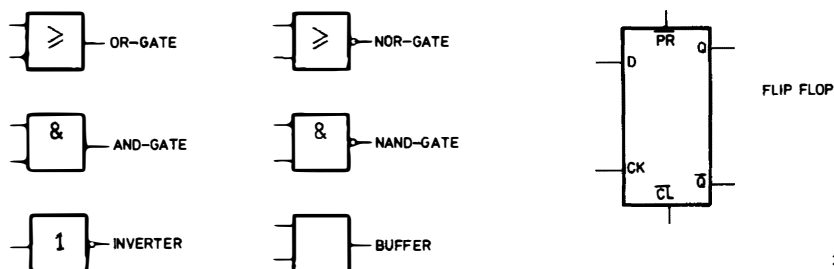
SYMBOL	TYPE	$t \frac{P}{amb} 70^\circ$	TOLERANCE	SERIES	RANGE 2322...
	SFR16	0.2	10Ω - 1M 5%	E24	180
	SFR25	0.33	1Ω - 10M 5%	E24	181
	SFR30	0.5	1Ω - 10M 5%	E24	182
	CR52	0.67	1Ω - 1M 5%	E24	213
	MR25	0.4	1Ω - 1M 1% (2%)	E24	151
	MR30	0.5	1Ω - 1M 1% (2%)	E24	152
	VR37	0.5	220k - 33M 5%	E24	242
	VR68	1	100k - 68M 5%	E24	244

SYMBOL	TYPE	VOLTAGE DC	TOLERANCE	RANGE 2222...
	POLYESTER FLATFOIL	SEE NOTE	10%	342 ÷ 352 365 ÷ 368
	PLATE CERAMIC	SEE NOTE	DEPENDING ON CAPACITY	629 ÷ 683
	ELCO MINIATURE SINGLE	SEE NOTE	-10+50%	015 ÷ 033 041 ÷ 043
	ELCO SINGLE ENDED	SEE NOTE	± 20%	035

**NOTE :**

*	f = 25V	g = 40V	h = 63V	j = 100V	l = 125V	m = 150V	n = 160V	q = 200V	r = 250V	s = 300V	t = 350V	u = 400V	v = 500V	w = 630V	x = 1000V	z = 1600V	E = 20V	F = 35V	G = 50V	H = 75V	I = 80V
a = 2.5V	b = 4V	c = 6.3V	d = 10V	e = 16V																	

34 498 A12



36 570 A12